

TM TECHNOLOGIE
emergency & evacuation lighting

TM.PRIMO R

IP 20 LED 3h

210 ÷ 250 V AC
50 / 60 Hz
186 ÷ 254 V DC

CE 0.7m

A A1, A1*

E E25, E30*, E40

A1, A1* ! ±1 [mm]

E25 ! ±1 [mm]

E30*, E40 ! ±1 [mm]

1

1

A

TM-PROG

≤50mm

E

1.1

1.1

1.2

1.2

1.3

1.3

1.4

1.4

1.5

1.5

1.6

1.6

4 *ST / AT / DATA / DATA 2 / DALI

4.1 3.1▶3.2▶3.3▶3.4

4.2 4.3 4.4 4.5 4.6 4.7 4.8 3.7▶3.8▶3.9

A

6.4V/3.0Ah A1*

6.4V/1.5Ah A1

3.1 3.2 3.3 3.4

4.4 4.5

4 *ST / AT / DATA / DATA 2 / DALI

4.1 3.1▶3.2▶3.3

4.2 4.3 4.4 4.5 4.6 4.7 4.8 3.8▶3.9▶3.10▶3.11

E30*, E40

6.4V/1.5Ah

3.2V/1.5Ah

3.1 3.2 3.3

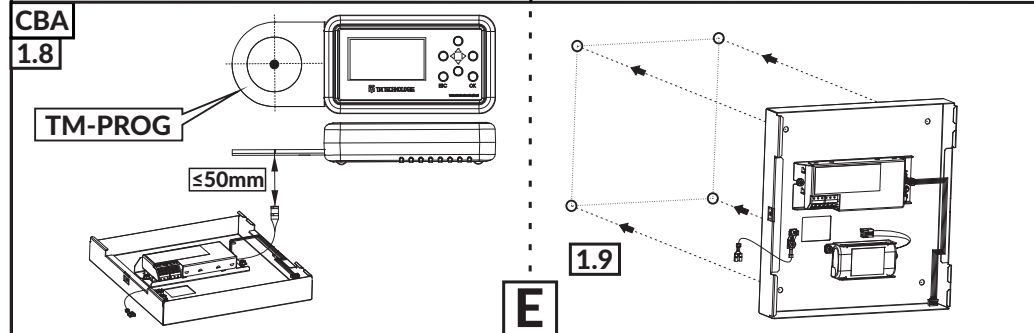
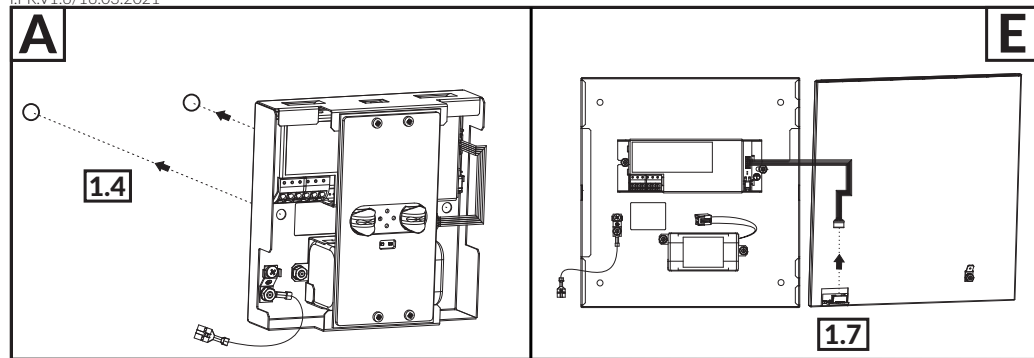
4.4 4.5

E

E25

PRIMO R	25P (10 x LED)	30P (12 x LED)	40P (16 x LED)
t		75°C	





40mm	40mm	NM	M	NM / M	CB	CBA
10mm		N L	N L L1 AB	N N L L AB	N/- L/+ CB	N- L+ L1 L N
		(DA DA)	(DA DA)			CB
				ST / AT	DT/D2/DA	D2R
		N	N	N	N	N
		N/L+/-	N L L1	N L L1	N	N
					STB-NL	

